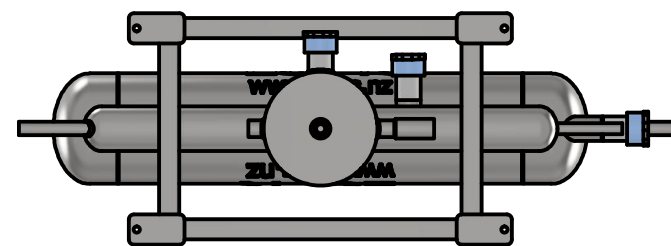
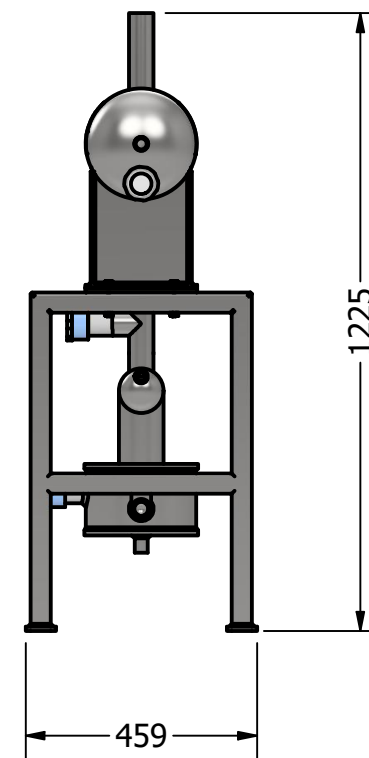
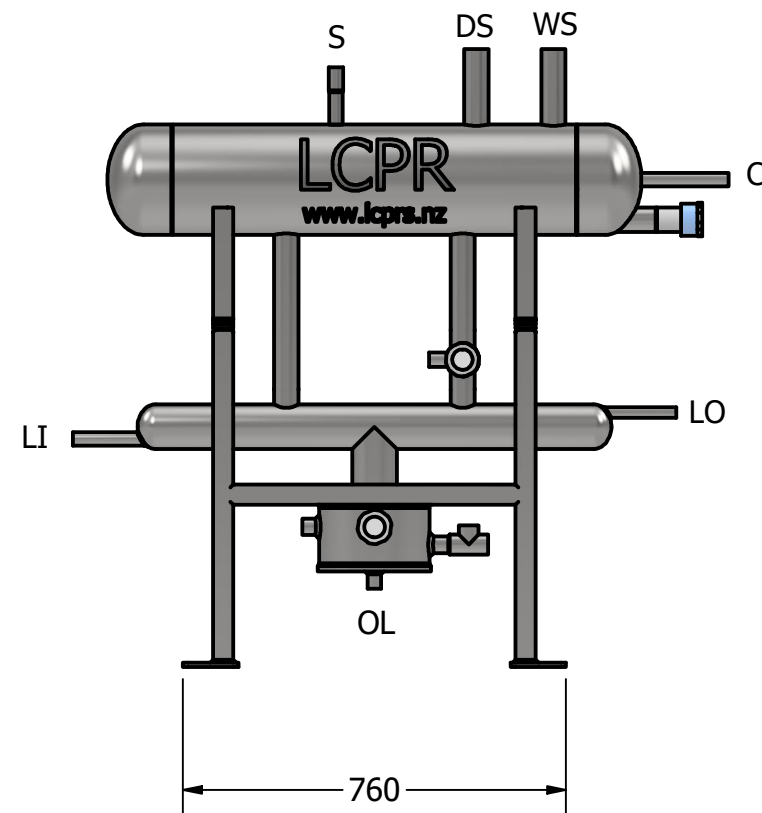
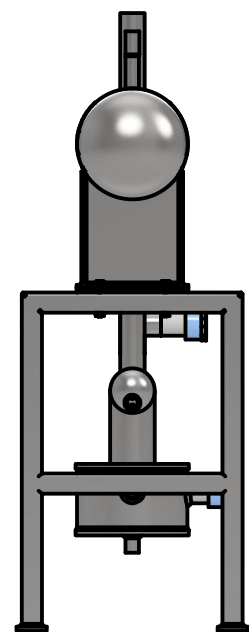



ALL DIMENSIONS EXCLUDE INSULATION

MODEL	200-SS-RH
DESIGN CODE =	AS1210 : 2B
D/P	1725 KPA
T/P	2165 KPA
TEMP.MIN	-30 °C
TEMP.MAX	150 °C
HAZ LEVEL	B
Seismic Design	TS 1170.5
Shell Length	800 mm
Aproximate Dry Weight =	61.5 Kg
Storage Volume =	19 Ltr
DS = Dry Suction	40 NB
WS = Wet Suction	40 NB
LI = Liquid In	20 NB
LO = Liquid Out	15 NB
OL = Oil Drain	1/2" NPT
C = Charging Point	20 NB
S = Safety	1/2" NPT



Actual LCPR may vary in actual dimensions

DRAWN	rva	27/04/2026	 LOW CHARGE PRESSURE RECEIVER SYSTEMS <small>LCPRS LIMITED</small> <small>Email: office@lcprs.nz</small>
CHECKED			
APPROVED			
SIZE	A3		
SCALE	1 / 15		TITLE
DO NOT SCALE DRAWINGS			200-SS-RH
			DWG NO
			200-SS-RH
			REV No
			SHEET 1 OF 1