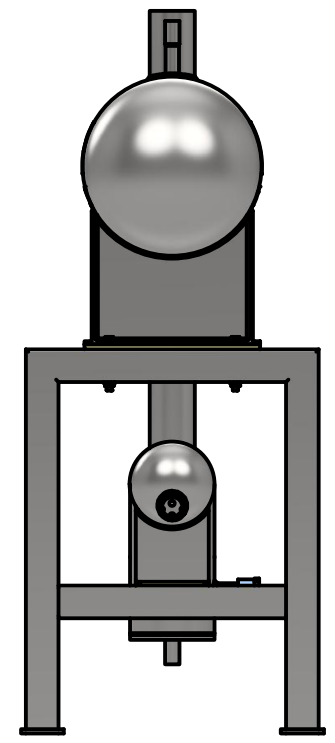
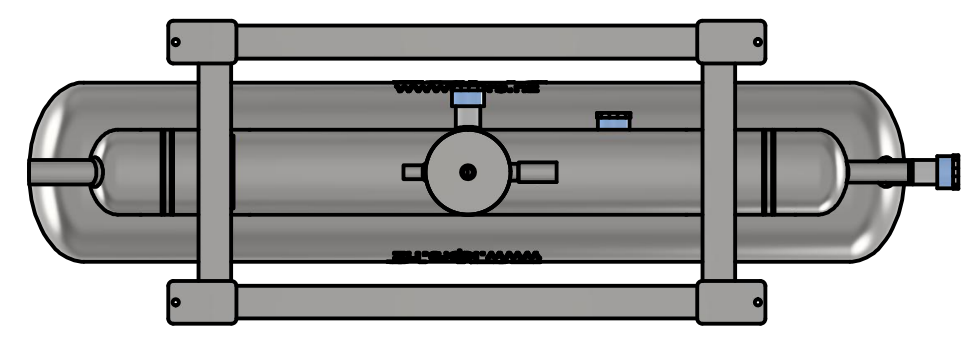
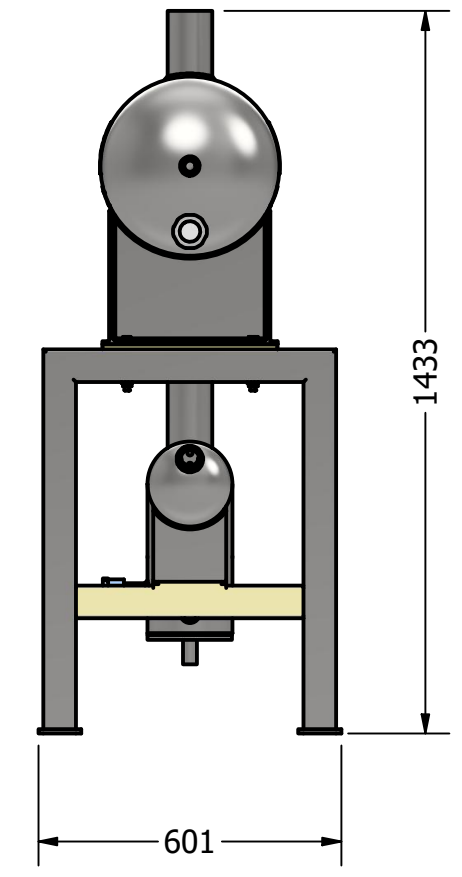
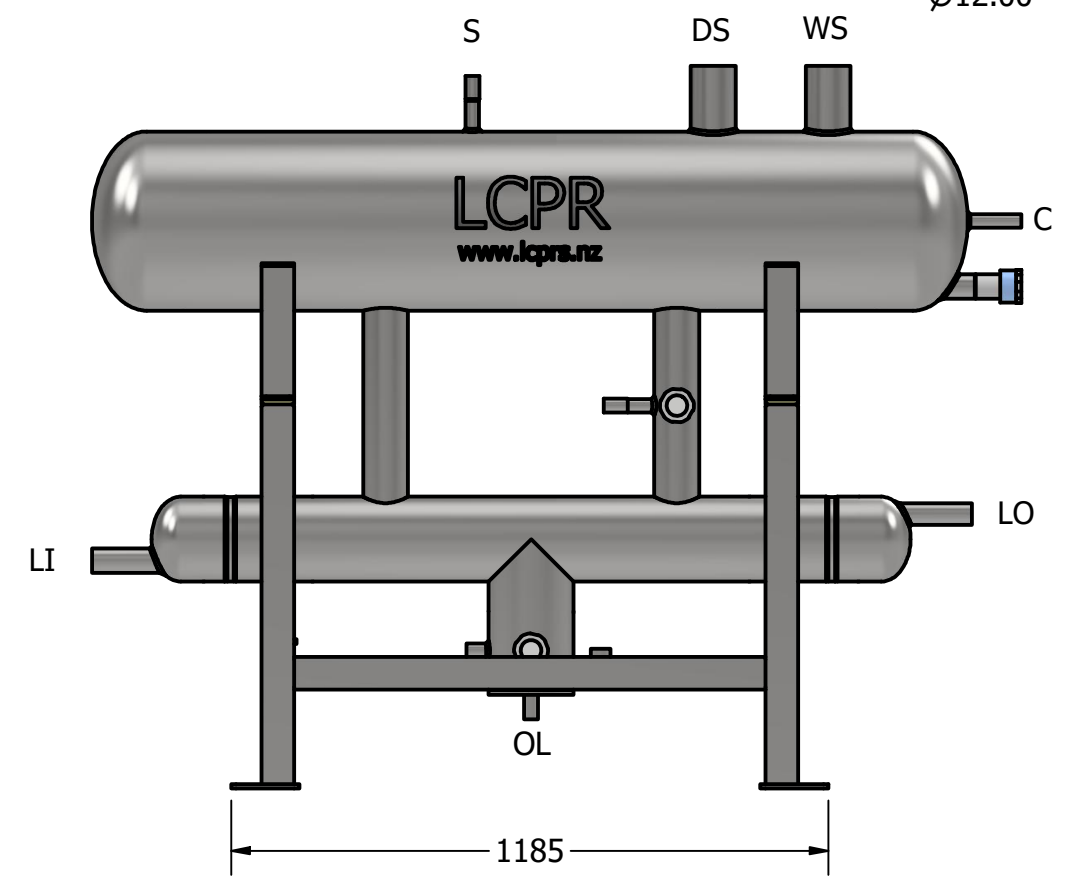
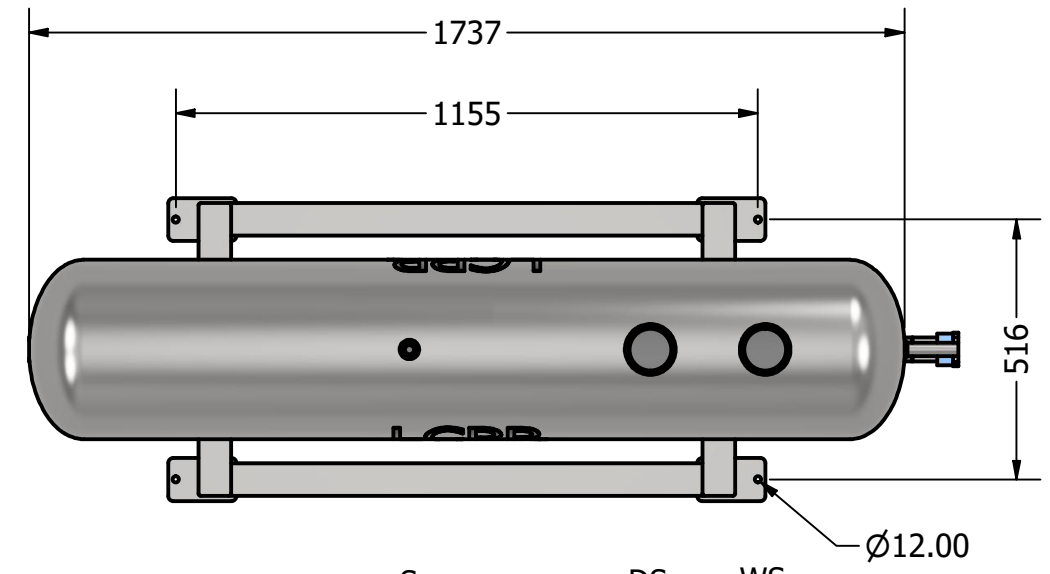



ALL DIMENSIONS EXCLUDE INSULATION

MODEL	350-SS-RH
DESIGN CODE =	AS1210 : 2B
D/P	1725 KPA
T/P	2165 KPA
TEMP.MIN	-40 °C
TEMP.MAX	150 °C
HAZ LEVEL	B
Seismic Design	TS 1170.5
Shell Length	1350 mm
Aproximate Dry Weight =	185 Kg
Storage Volume =	87 Ltr
DS = Dry Suction	75 NB
WS = Wet Suction	75 NB
LI = Liquid In	40 NB
LO = Liquid Out	32 NB
OL = Oil Drain	1/2" NPT
C = Charging Point	20 NB
S = Safety	1/2" NPT



Actual LCPR may vary in actual dimensions

DRAWN rva	20/05/2026	 <b>LOW CHARGE PRESSURE RECEIVER SYSTEMS</b> <small>LCPRS LIMITED</small> <small>Email: office@lcp.rs.nz</small>
CHECKED		
APPROVED		TITLE <b>350-SS-RH</b>
SIZE	A3	DWG NO 350-SS-RH
SCALE	1 / 15	REV No
<b>DO NOT SCALE DRAWINGS</b>		SHEET 1 OF 1