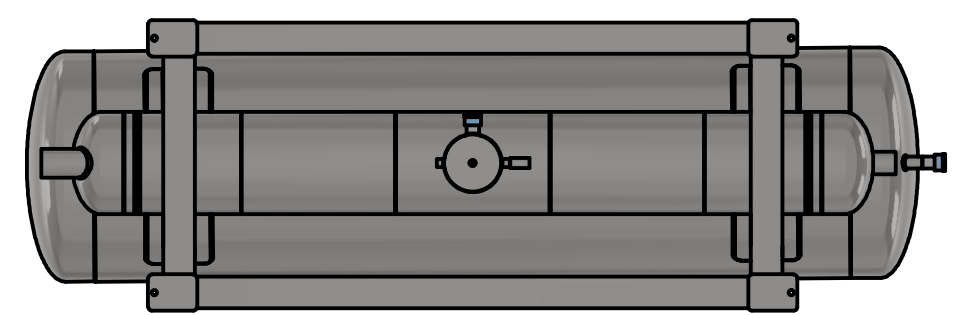
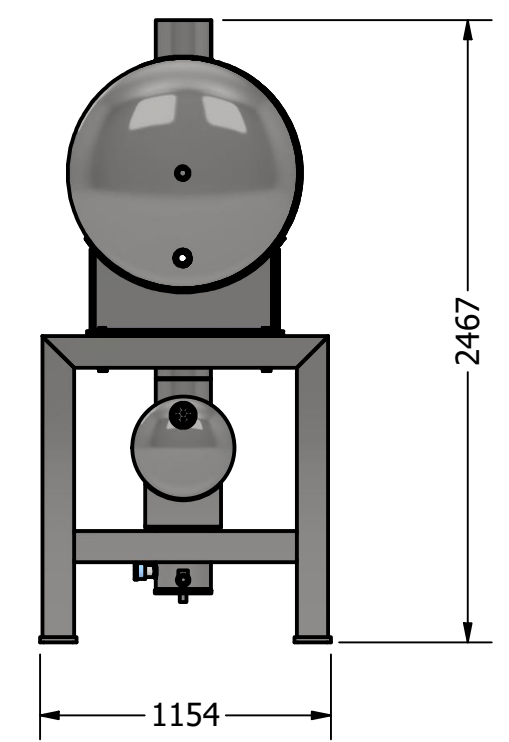
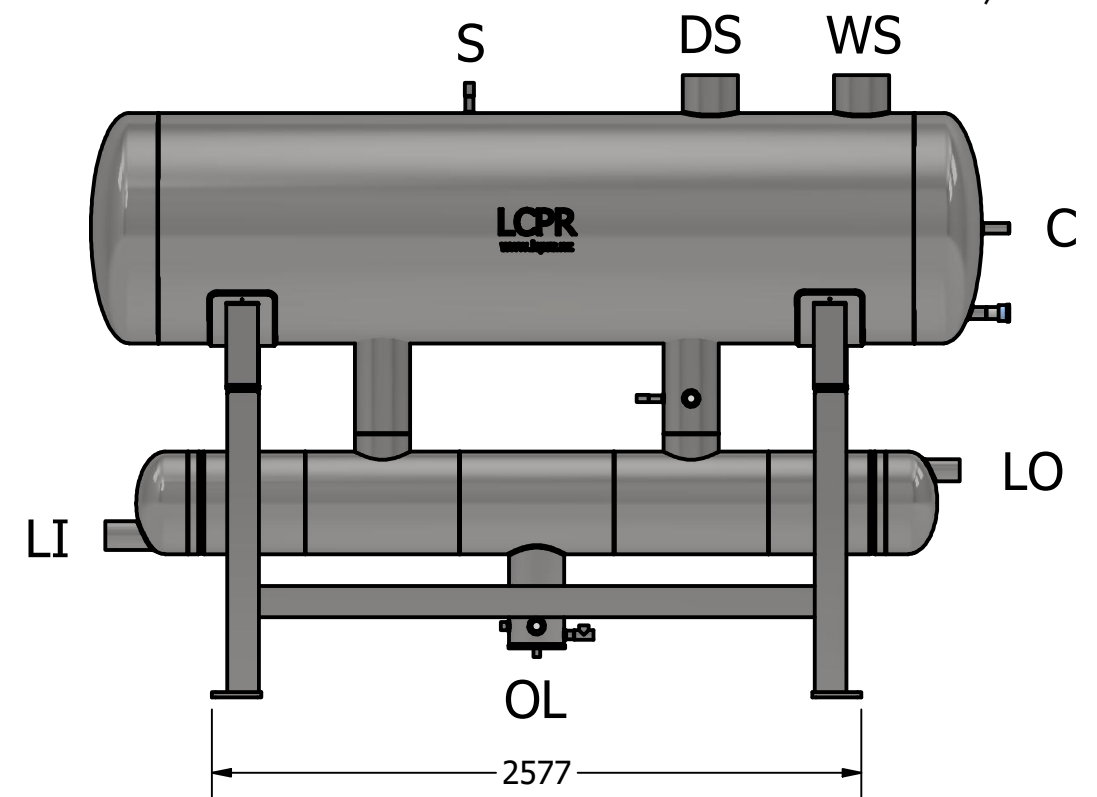
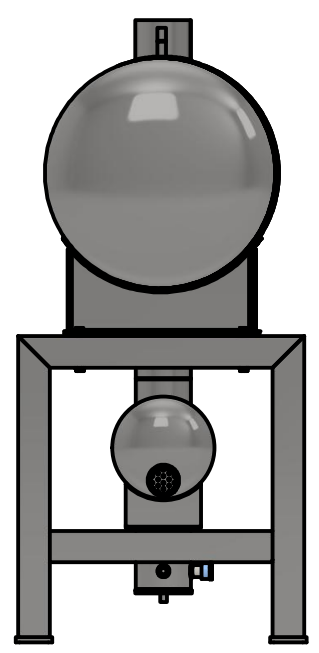
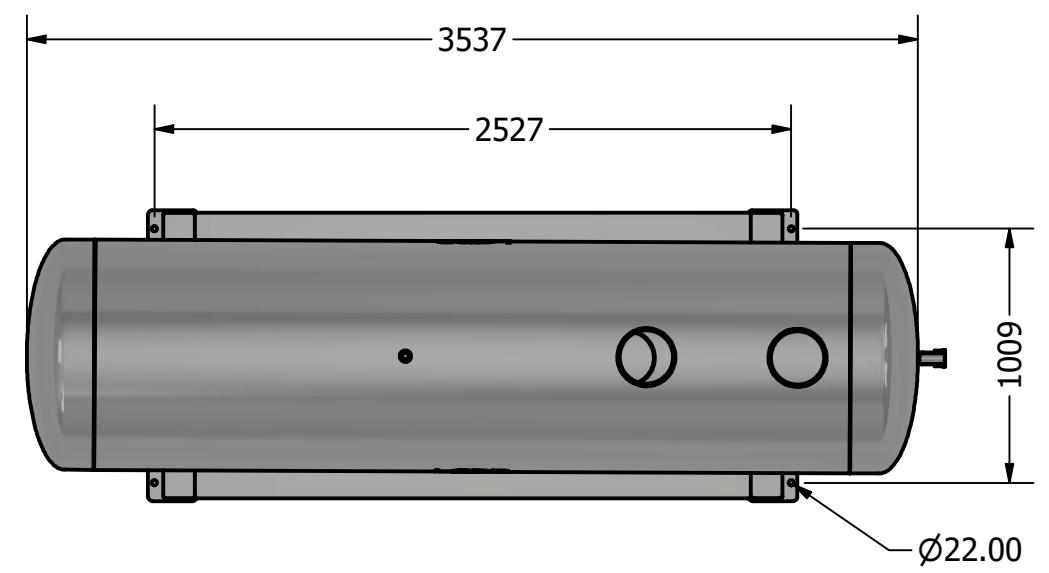



ALL DIMENSIONS EXCLUDE INSULATION

MODEL	900-SS-RH
DESIGN CODE =	AS1210 : 2B
D/P	1725 KPA
T/P	2165 KPA
TEMP.MIN	-40 °C
TEMP.MAX	150 °C
HAZ LEVEL	B
Seismic Design	TS 1170.5
Shell Length	3000 mm
Aproximate Dry Weight =	1471 Kg
Storage Volume =	1393 Ltr
DS = Dry Suction	200 NB
WS = Wet Suction	200 NB
LI = Liquid In	100 NB
LO = Liquid Out	75 NB
OL = Oil Drain	1/2" NPT
C = Charging Point	32 NB
S = Safety	3/4" NPT



Actual LCPR may vary in actual dimensions

DRAWN	rva	21/05/2026	 LOW CHARGE PRESSURE RECEIVER SYSTEMS <small>LCPRS LIMITED</small> Email: office@lcprr.nz
CHECKED			
APPROVED			
SIZE	A3		
SCALE	1 / 30		TITLE <h1>900-SS-RH</h1>
DO NOT SCALE DRAWINGS			DWG NO 900-SS-RH
			REV No SHEET 1 OF 1